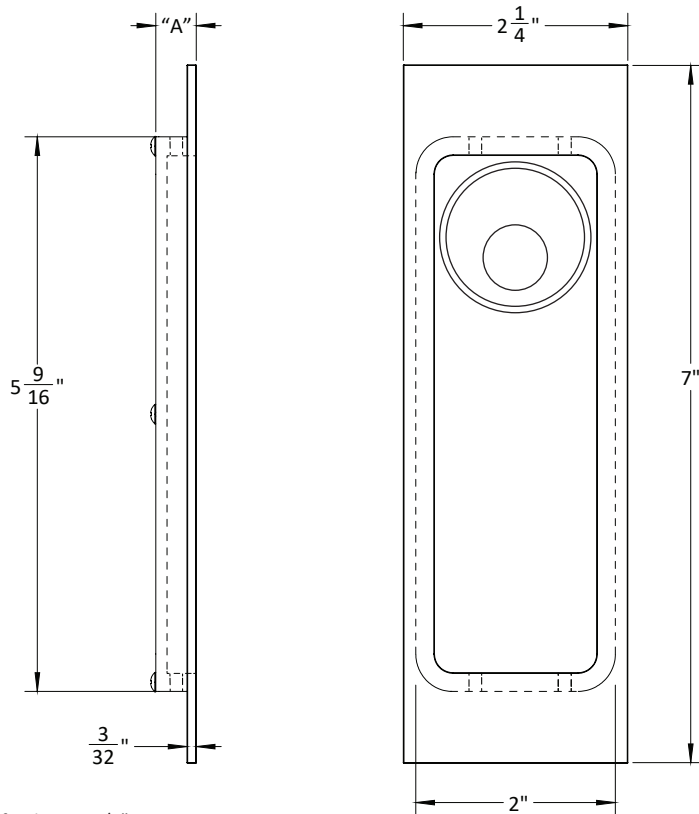


ETCHED RECTANGULAR FLUSH PULL CYLINDER



SHOWN IN US19LL.M with Etched Inlay



"A" = 7/16" for doors 1 3/4" minimum
5/16" for doors 1 3/8" minimum

